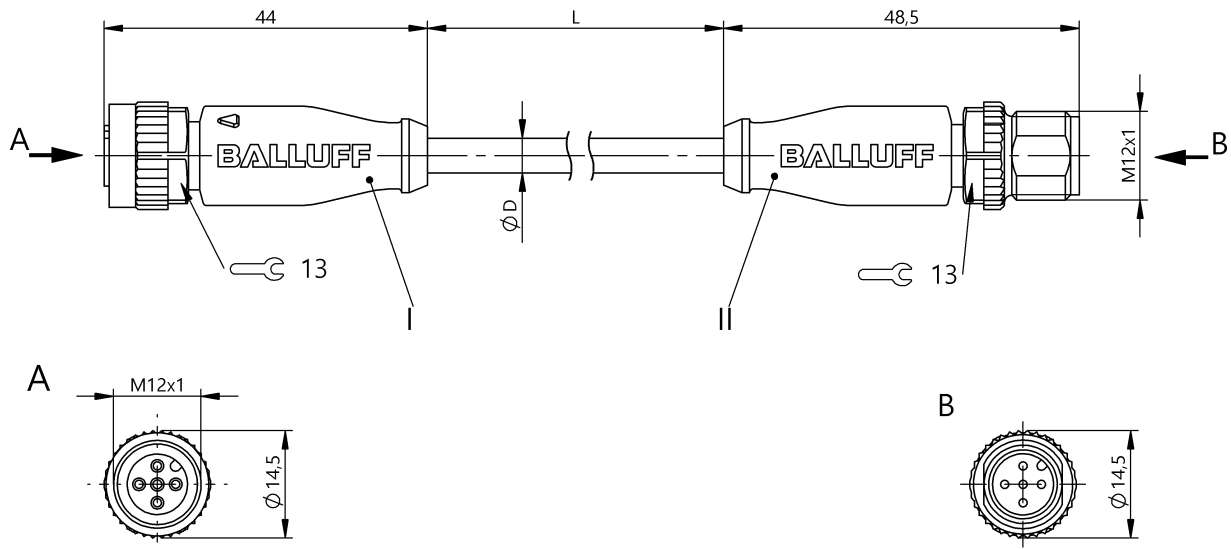


Double-Ended Cordsets  
**BCC M415-M415-3A-313-EX45T2-300**  
 Order Code: BCC0JZR

**BALLUFF**



**Basic features**

|                     |                     |
|---------------------|---------------------|
| Approval/Conformity | CE<br>cULus<br>WEEE |
|---------------------|---------------------|

**Electrical connection**

|                                     |                                         |
|-------------------------------------|-----------------------------------------|
| Bending radius min., fixed cable    | 5 x D                                   |
| Bending radius min., flexible cable | 10 x D                                  |
| Cable                               | TPE Yellow, 30 m, drag chain compatible |
| Cable diameter D                    | 5.60 mm ±0.13 mm                        |
| Cable, bending cycles min.          | 10 mil.                                 |
| Conductor cross-section             | 22 AWG                                  |
| Connection 1                        | M12x1-Female, straight, 5-pin, A-coded  |
| Connection 2                        | M12x1-Male, straight, 5-pin, A-coded    |
| Number of conductors                | 5                                       |
| System                              | Molded/Molded                           |

**Electrical data**

|                             |                 |
|-----------------------------|-----------------|
| Cable rated voltage AC max. | 300 V           |
| Cable rated voltage DC max. | 300 V           |
| Operating voltage Ub        | 60 VDC / 60 VAC |
| Rated current (40 °C)       | 4.0 A           |

**Remarks**

Cable construction acc. to UL-AWM Style 20327  
 Flame resistance per IEC 60332-1-2  
 Enclosure rating per IEC 60529 or 20653, only in screwed state with the associated mating piece.

**Environmental conditions**

|                                     |                                     |
|-------------------------------------|-------------------------------------|
| Cable temperature, fixed routing    | -50...105 °C                        |
| Cable temperature, flexible routing | -25...105 °C                        |
| IP rating                           | IP67, IP68, IP69K/IP67, IP68, IP69K |

**Interface**

|                  |               |
|------------------|---------------|
| Switching output | Complementary |
|------------------|---------------|

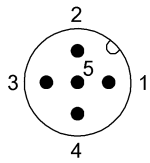
**Material**

|                          |                             |
|--------------------------|-----------------------------|
| Cable jacket, material   | TPE                         |
| Material contact carrier | PUR/PUR                     |
| Material contacts        | Bronze/Brass                |
| Material cover nut       | Die-cast zinc/Die-cast zinc |
| Material grip            | PUR/PUR                     |

**Mechanical data**

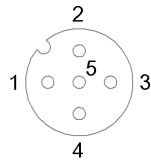
|                           |                       |
|---------------------------|-----------------------|
| Cable jacket, color       | Yellow                |
| Cable length L            | 30.00 m               |
| Cable properties          | drag chain compatible |
| Tightening torque pigtail | 0.6 Nm/0.6 Nm         |

## Connector Drawings



II

- PIN 1: brown
- PIN 2: white
- PIN 3: blue
- PIN 4: black
- PIN 5: green/yellow



I

- PIN 1: brown
- PIN 2: white
- PIN 3: blue
- PIN 4: black
- PIN 5: green/yellow

## Wiring Diagrams

